



TECHNIC

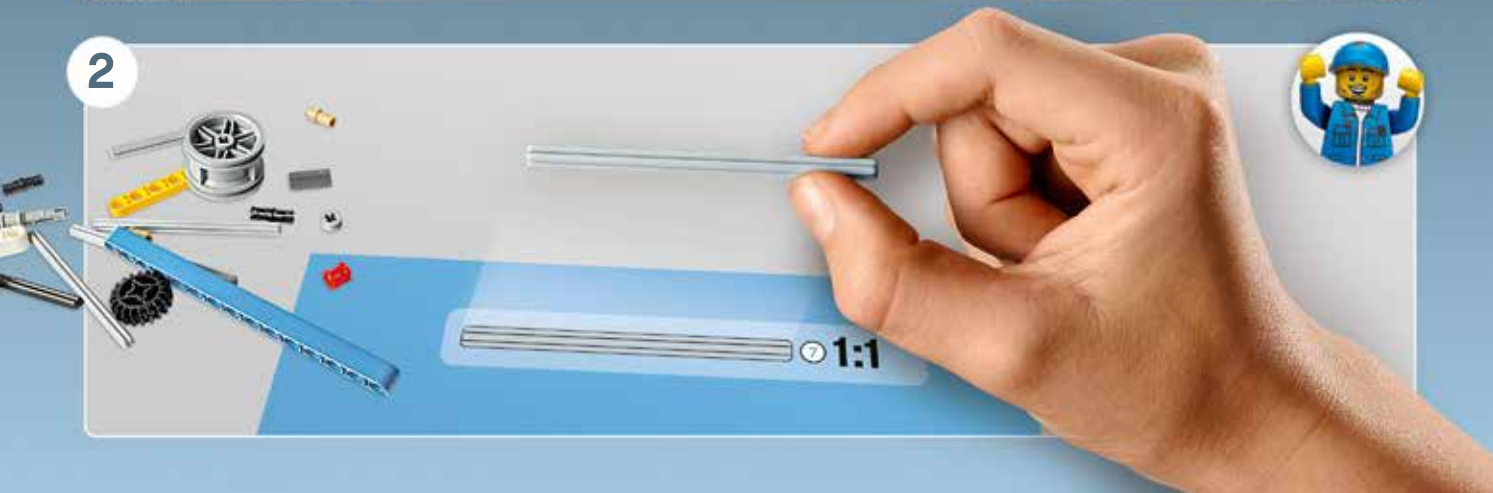
42044



1



2



1

LEGO.com/building-app



2



3



Google Play is a trademark of Google Inc.
 Google Play est une marque de commerce de Google Inc.
 Google Play es una marca comercial de Google Inc.

Apple, the Apple logo, iPad, iPhone and iPod touch are trademarks of Apple Inc.
 Apple, le logo Apple, iPad, iPhone et iPod touch sont des marques de commerce d'Apple Inc.
 Apple, el logotipo de Apple, iPad, iPhone e iPod touch son marcas comerciales de Apple Inc.

LEGO **TECHNIC**

LEGO®
 Building
 Instructions

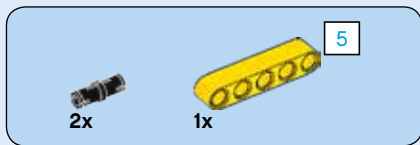
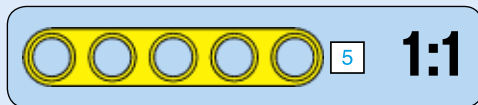


ANDROID APP ON
Google play

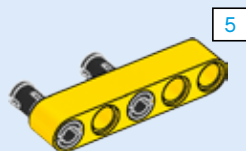
Download on the
App Store



 LEGO.com/technic

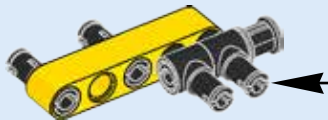
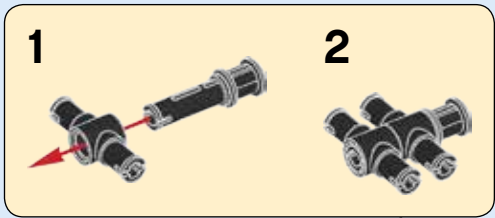


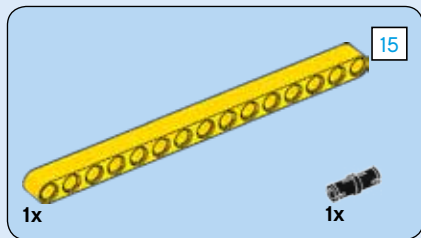
1



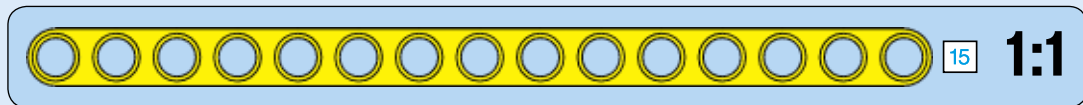
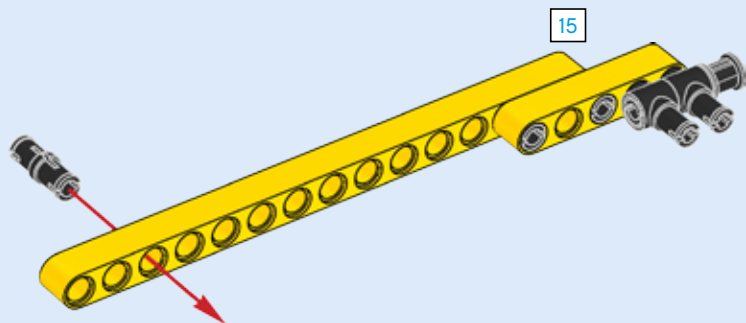


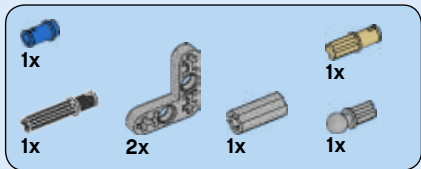
2



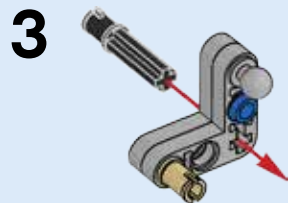
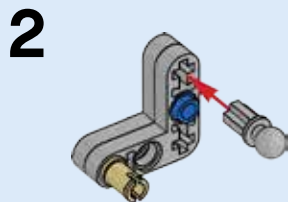
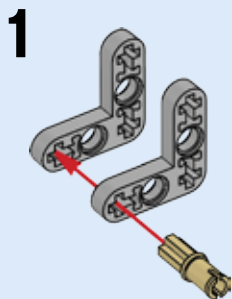


3

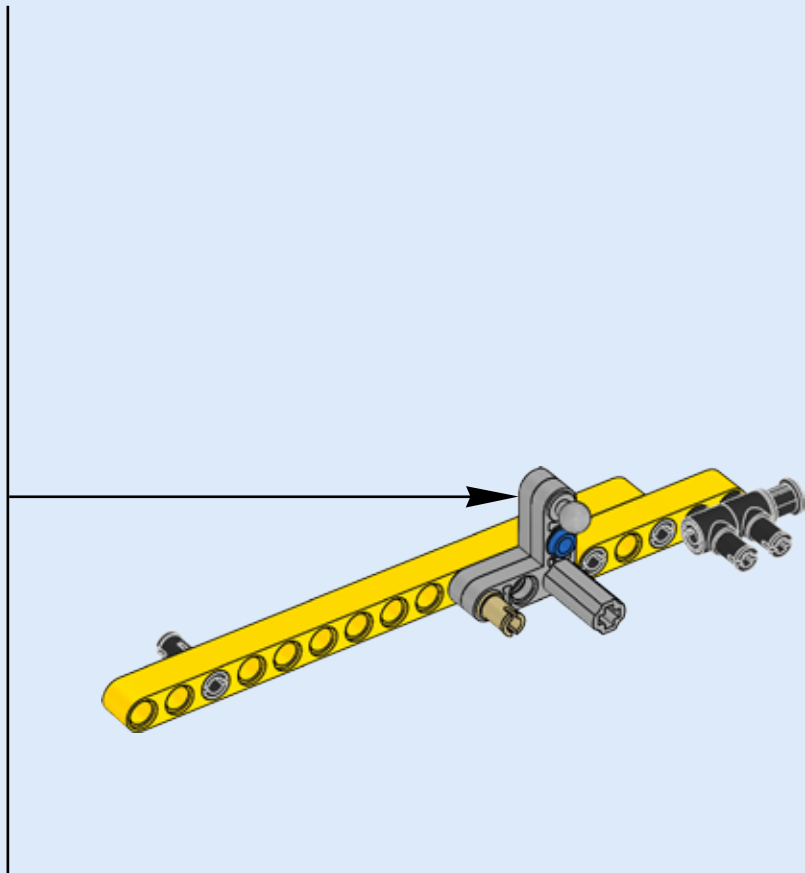
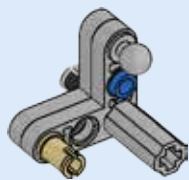


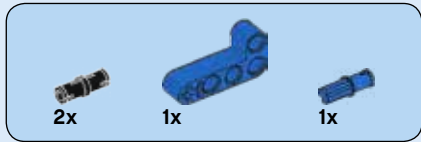


4

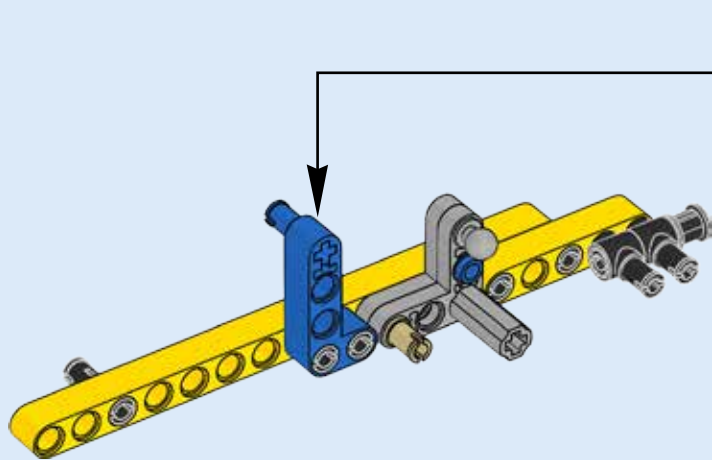
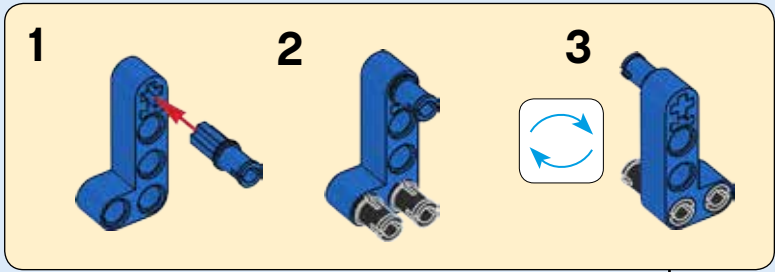


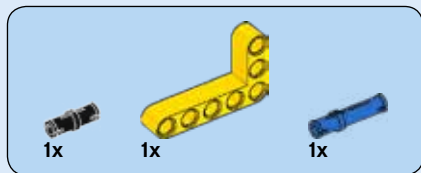
4



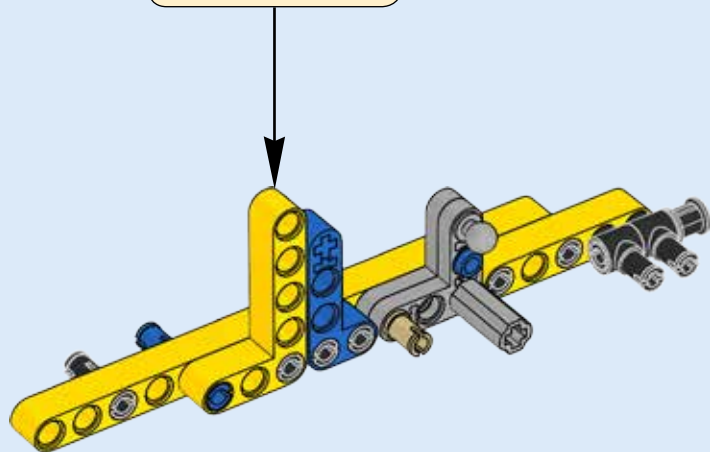
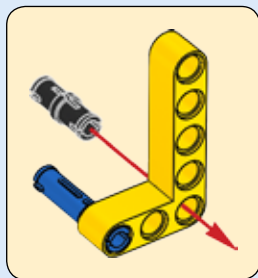


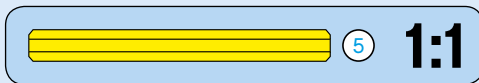
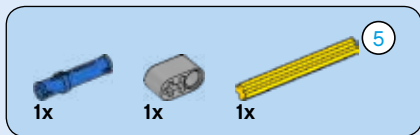
5



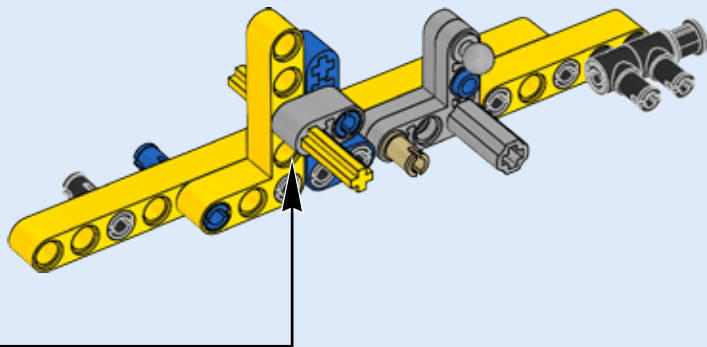
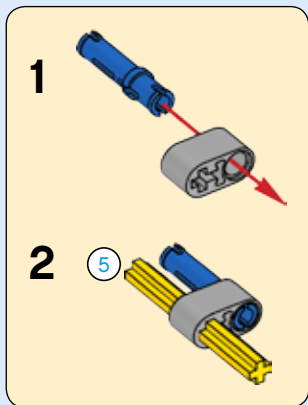


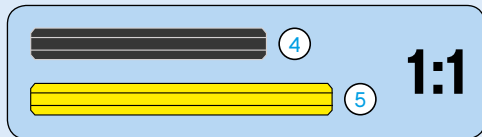
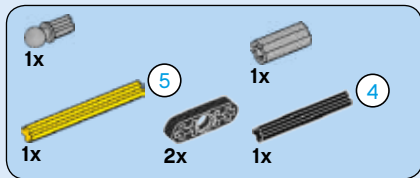
6



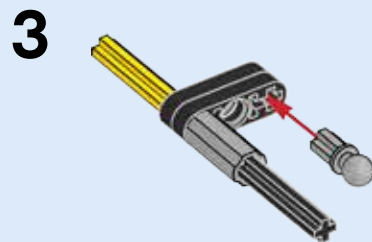
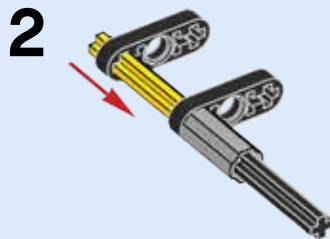
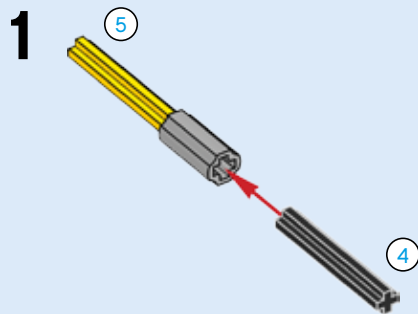


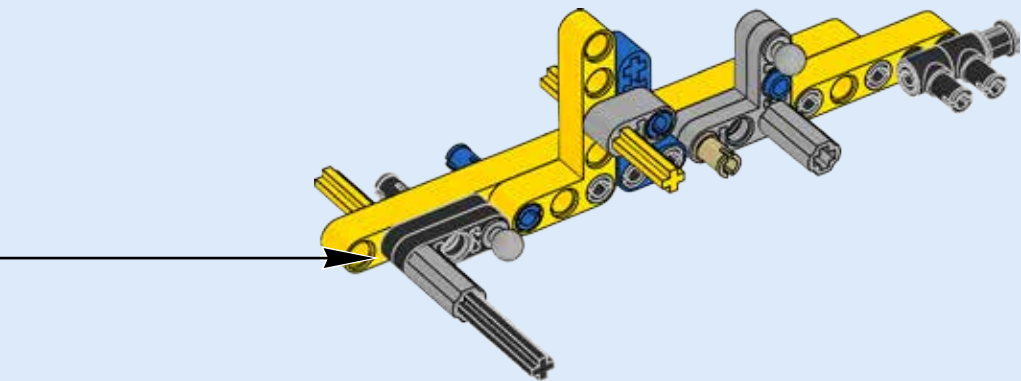
7

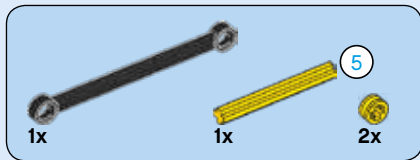




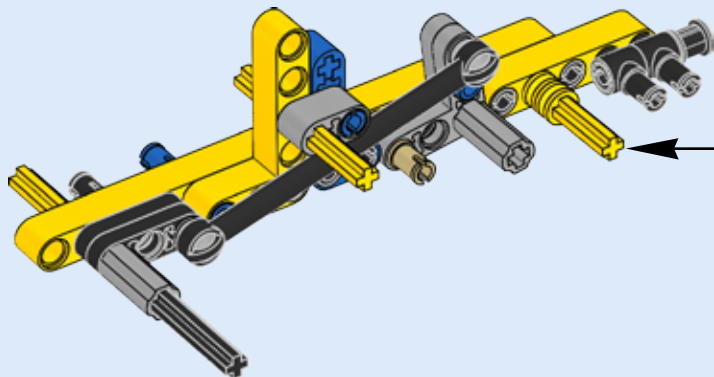
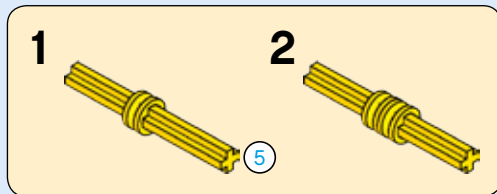
8

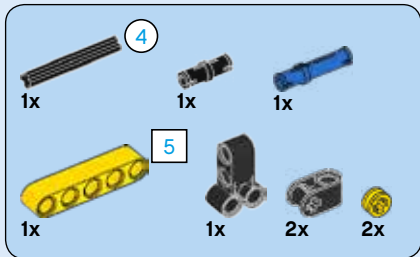
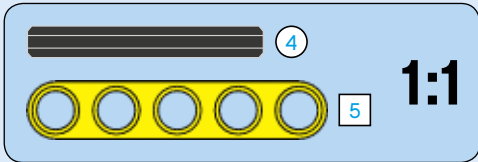
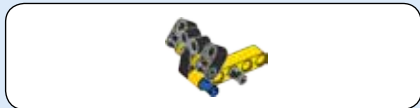






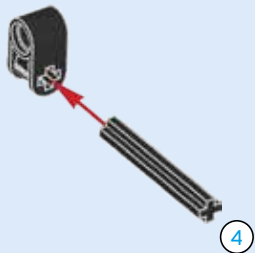
9





10

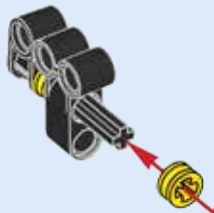
1



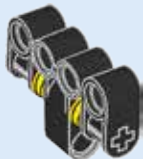
2



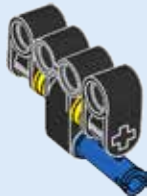
3



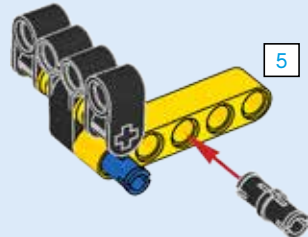
4

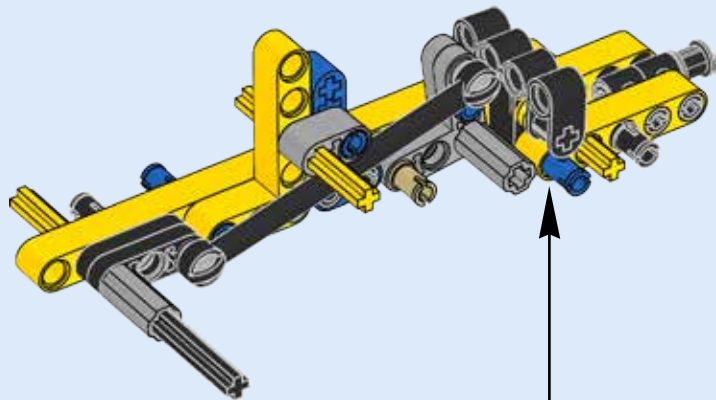


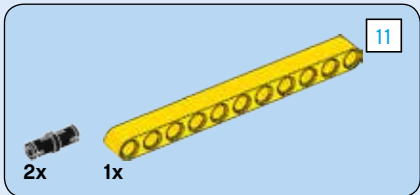
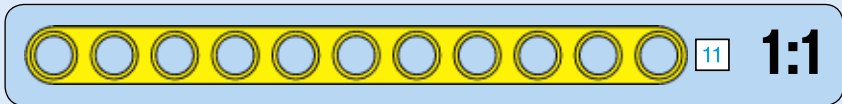
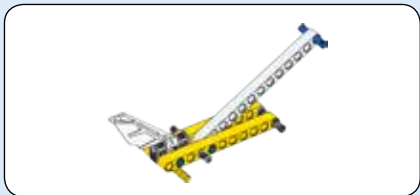
5



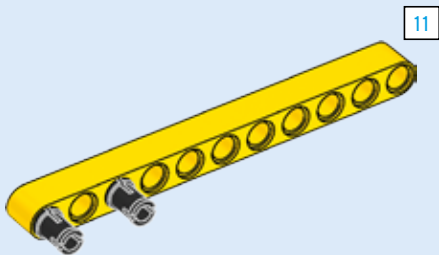
6







11



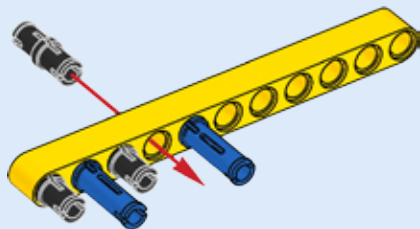


1x



2x

12

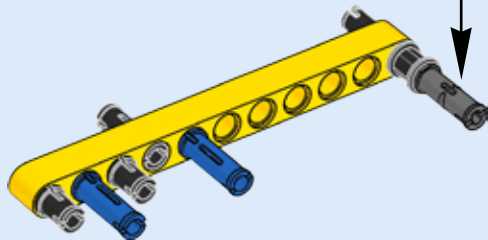


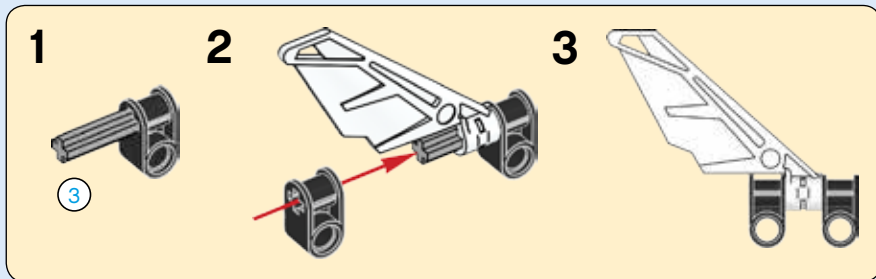
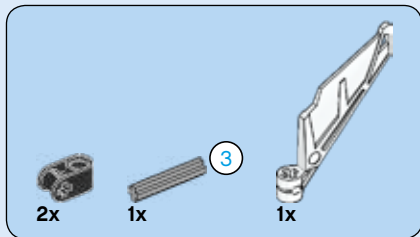
1x



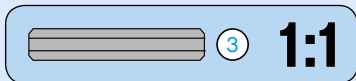
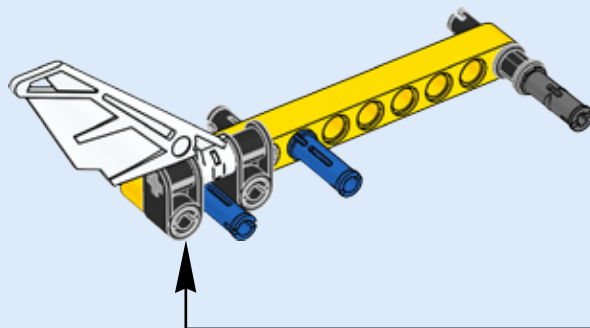
1x

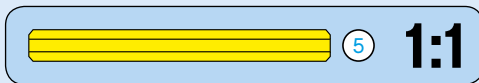
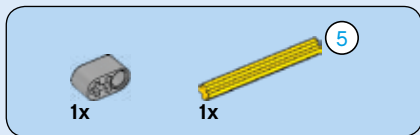
13



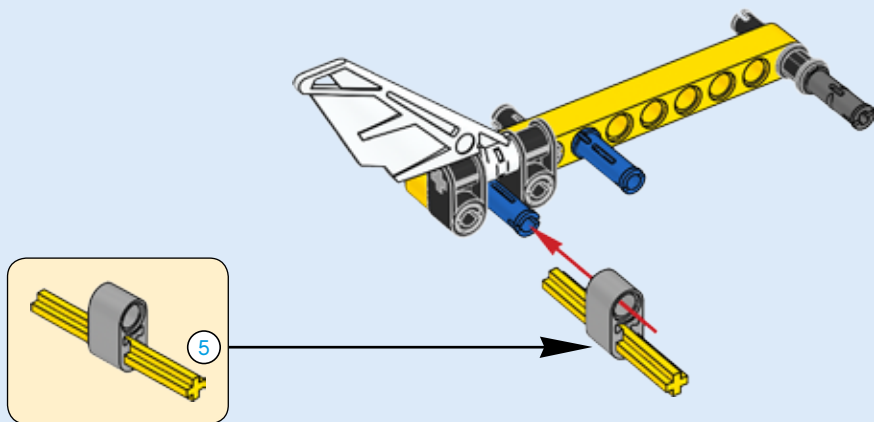


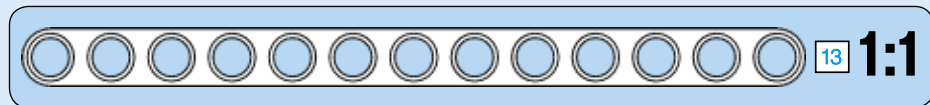
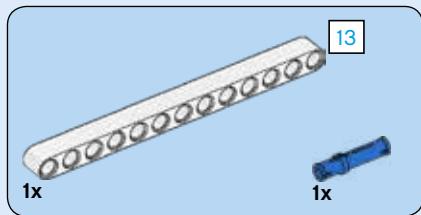
14



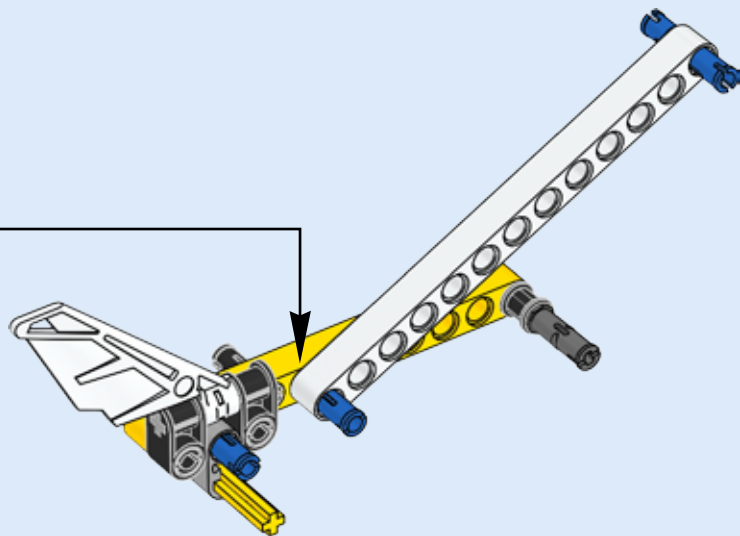
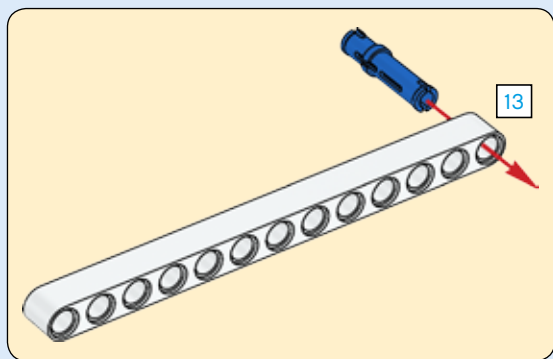


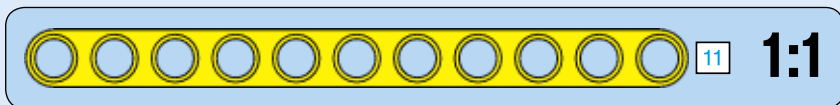
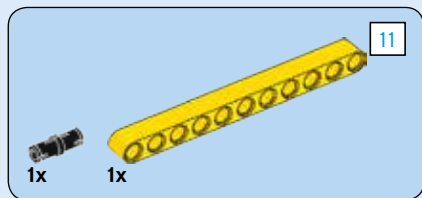
15



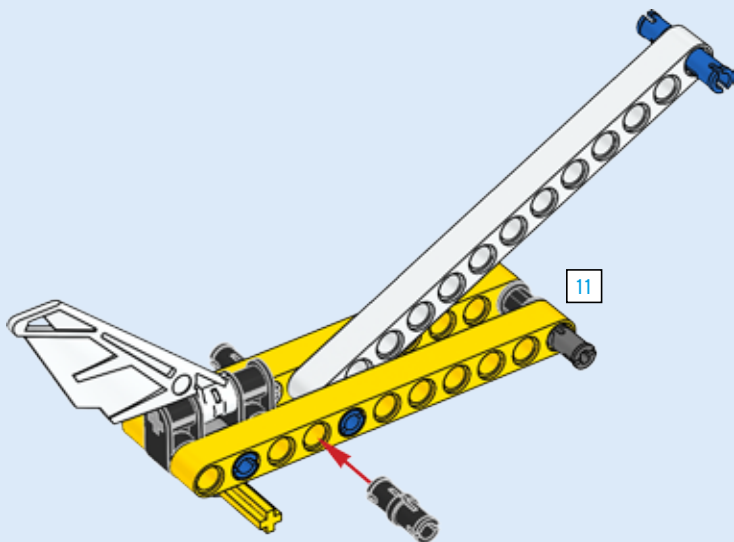


16

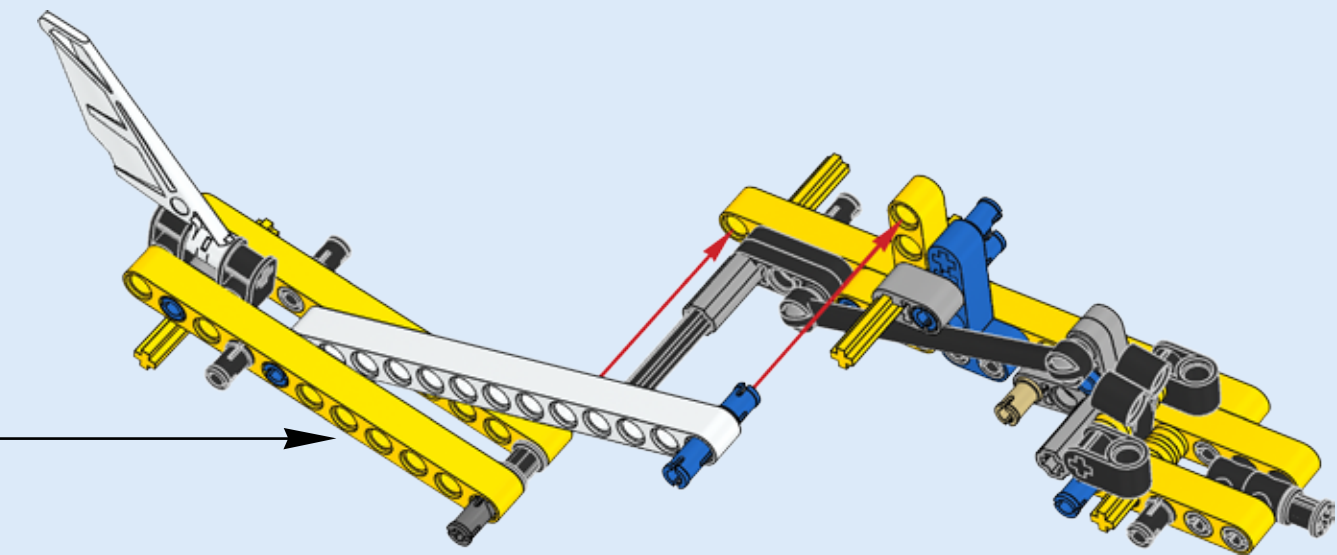


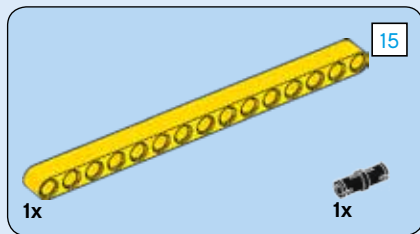
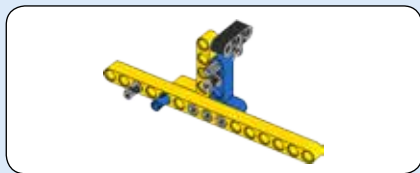


17

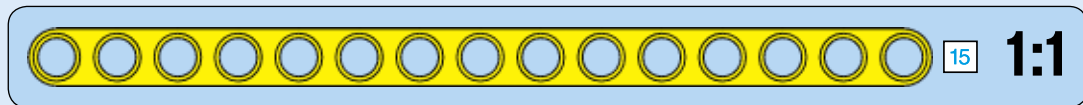
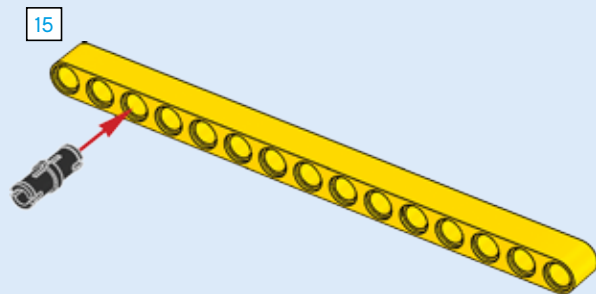


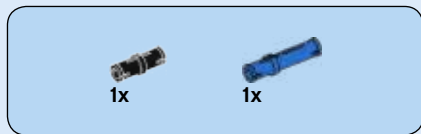
18



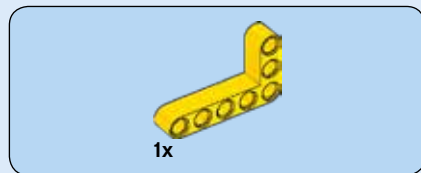
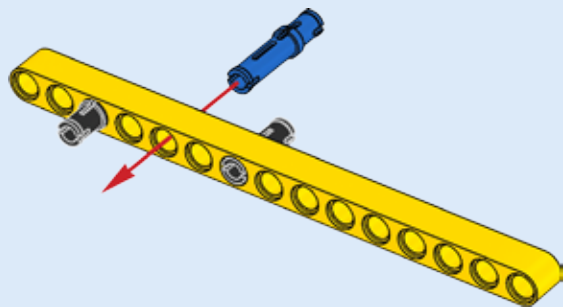


19

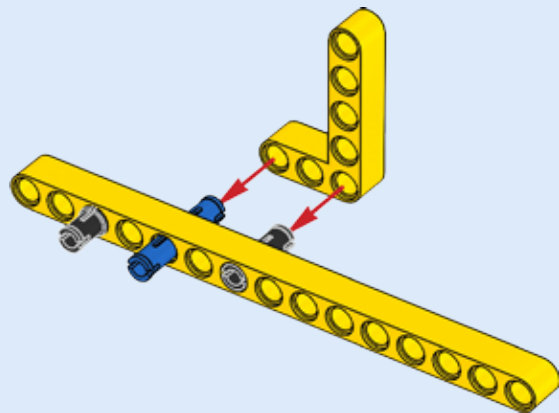


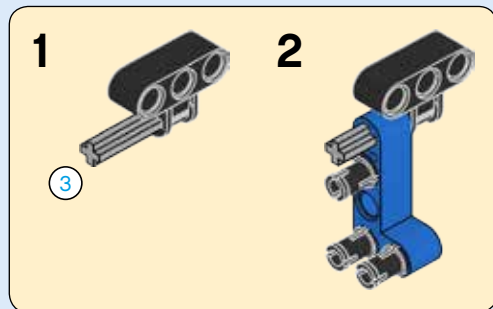
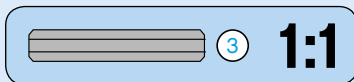
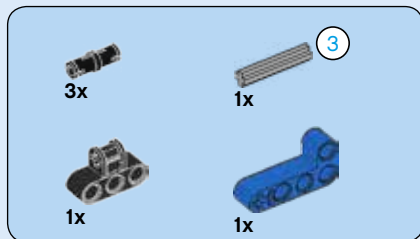


20

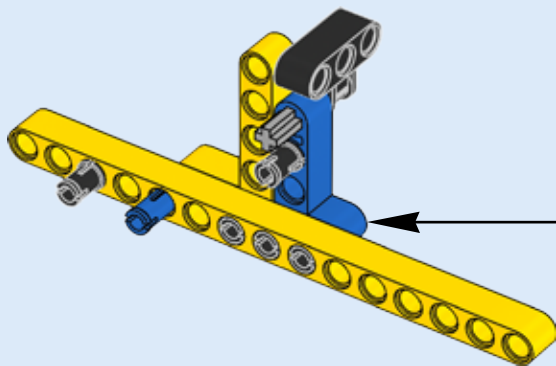


21

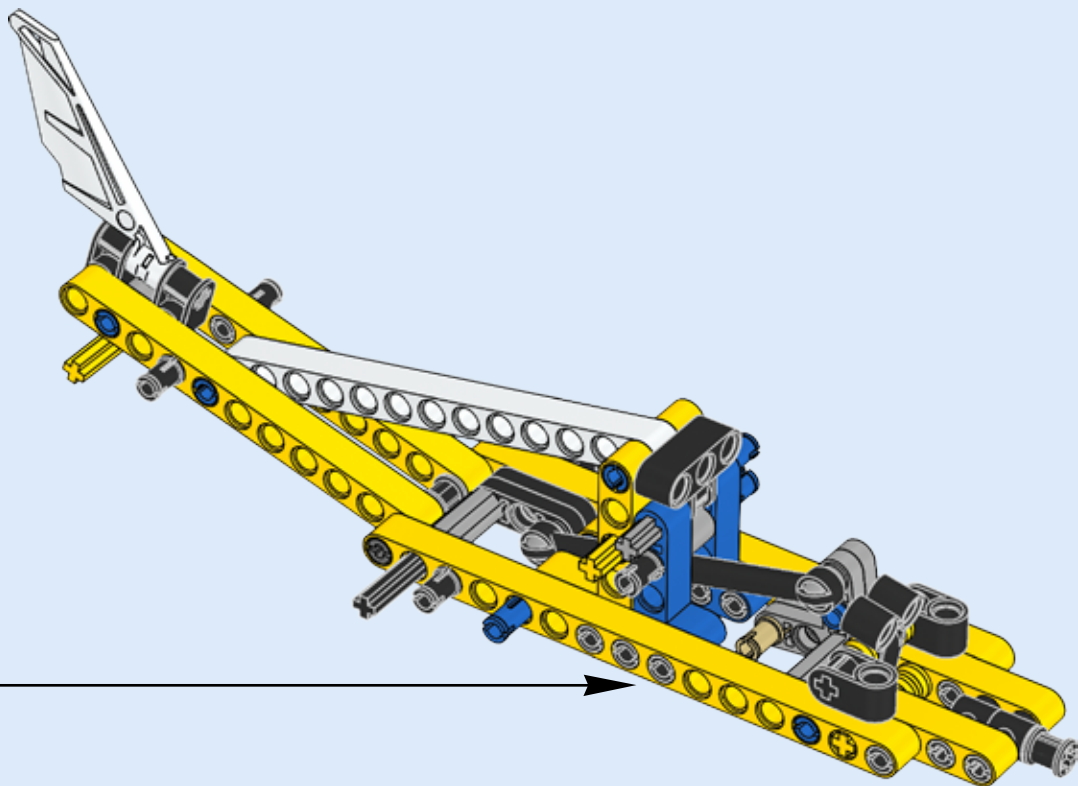


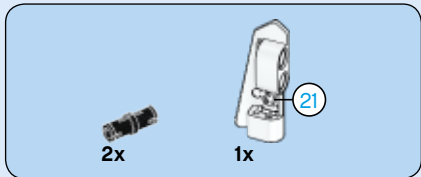


22

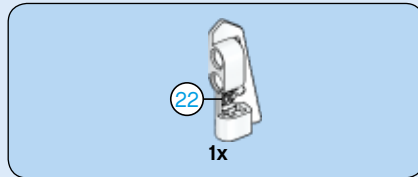
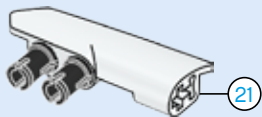


23

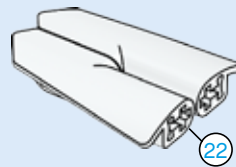




24



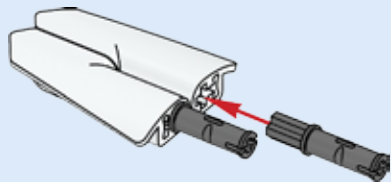
25





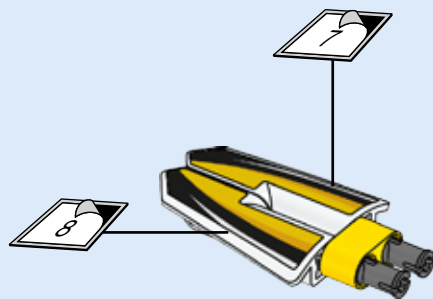
2x

26

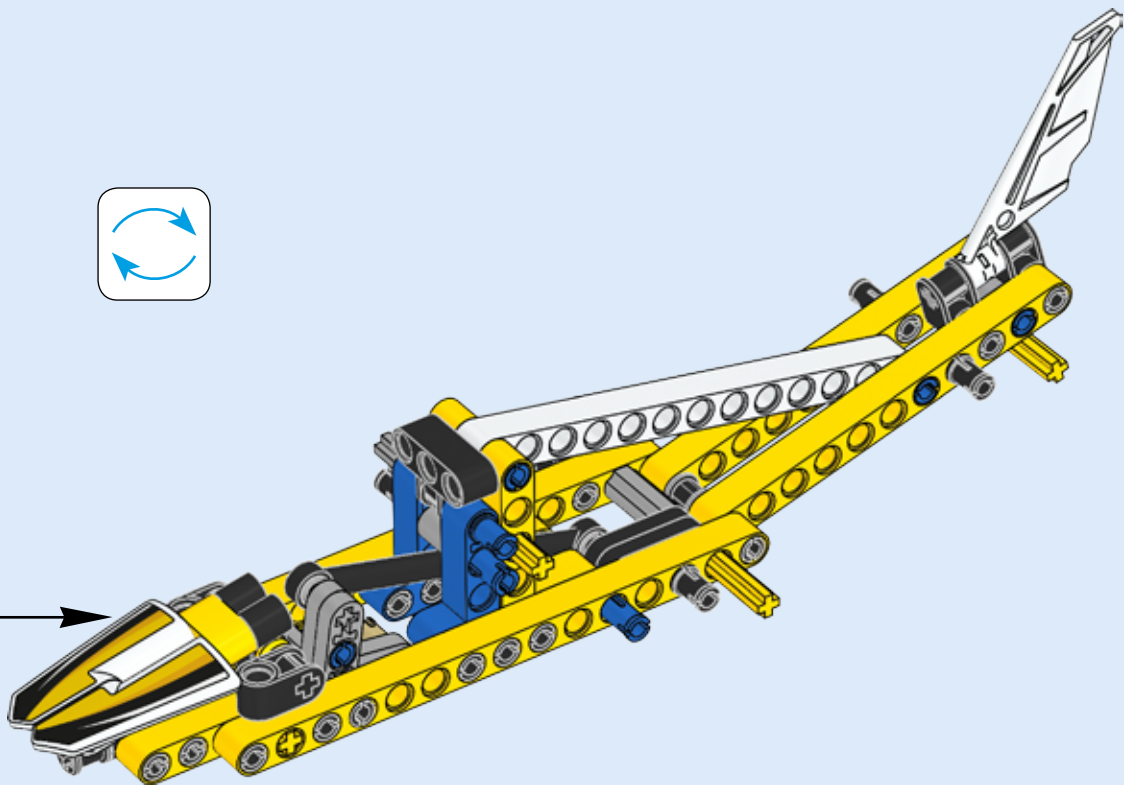
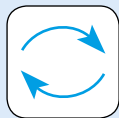


1x

27

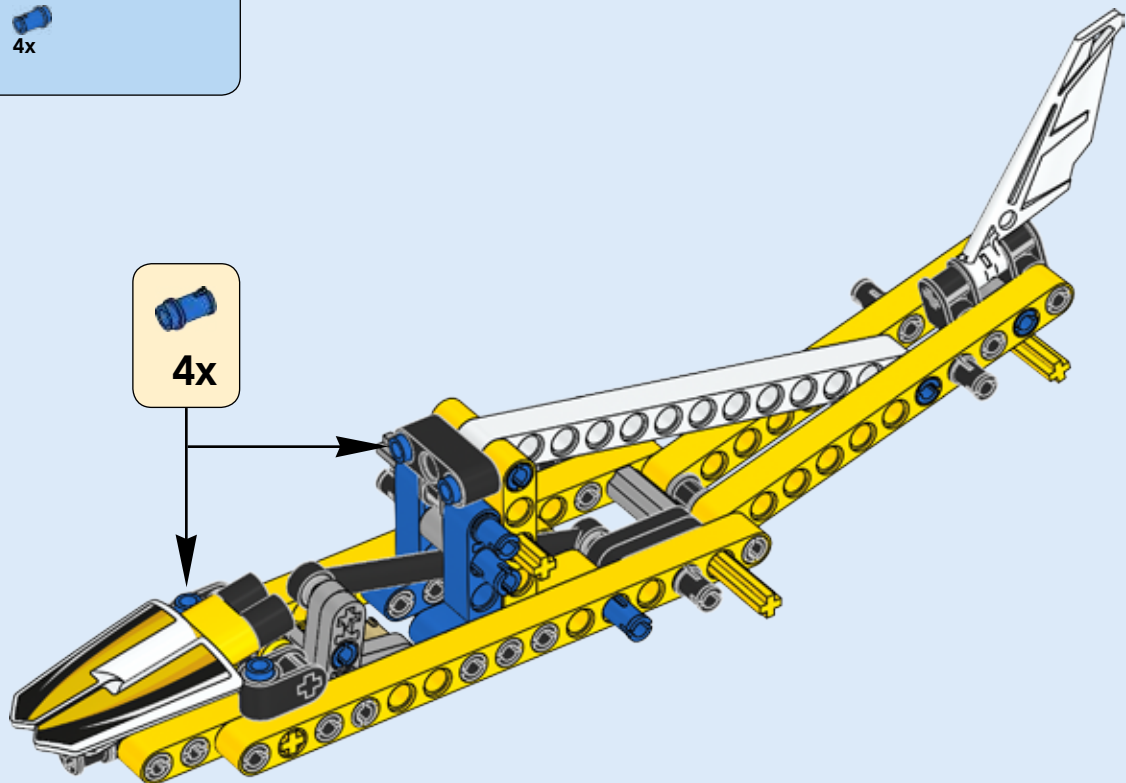


28





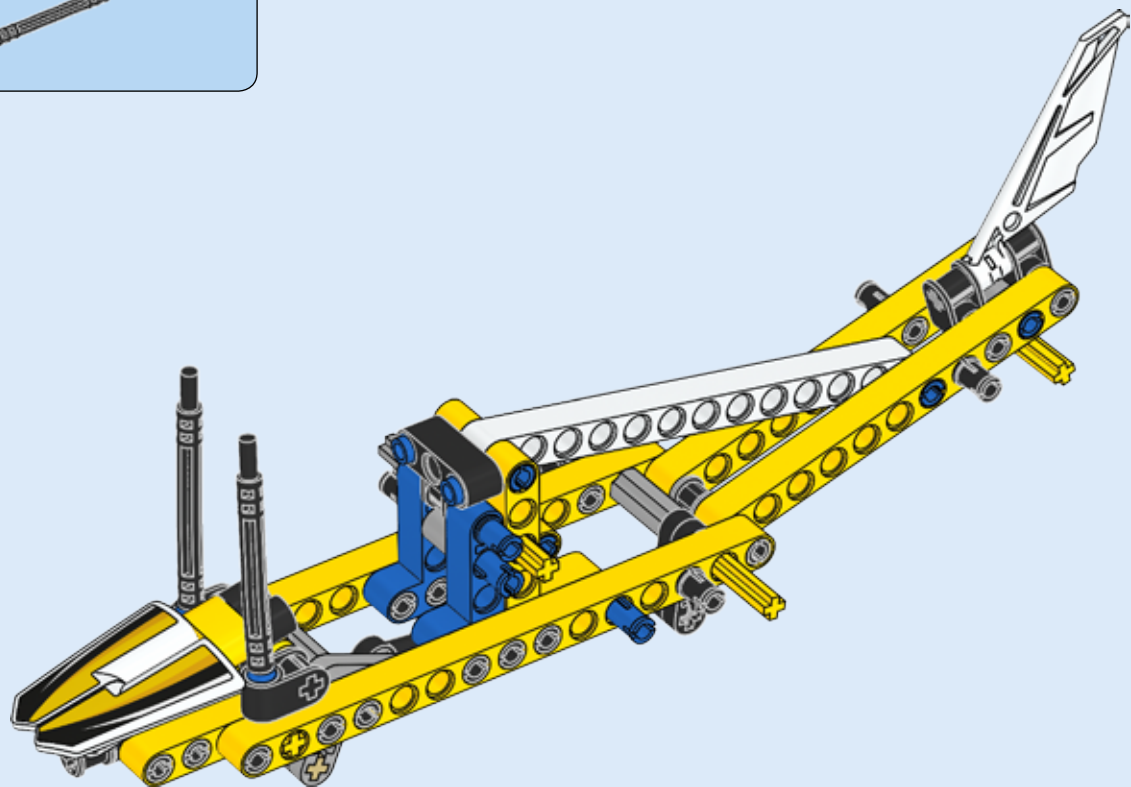
29



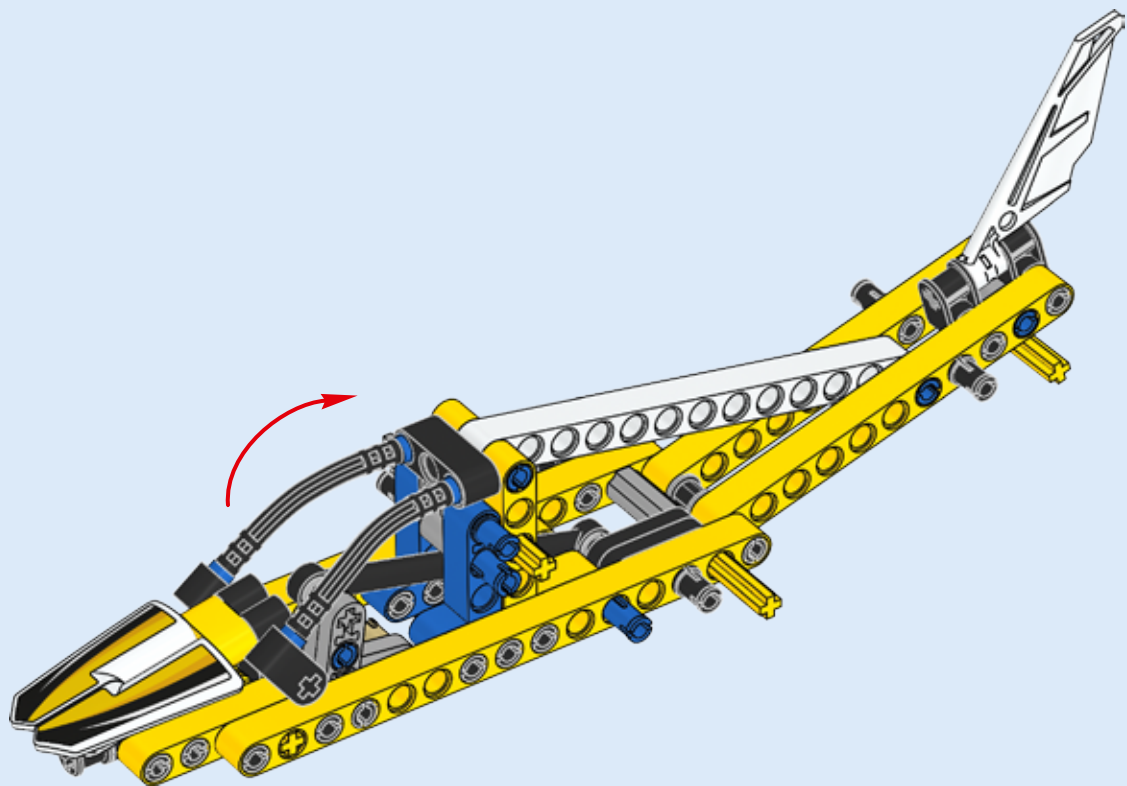


2x

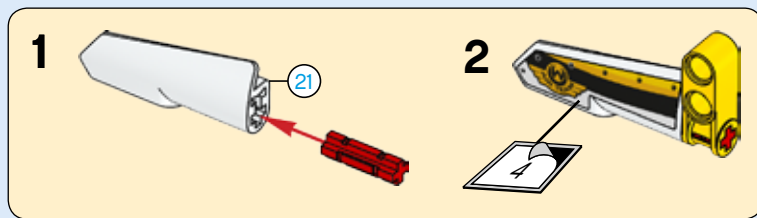
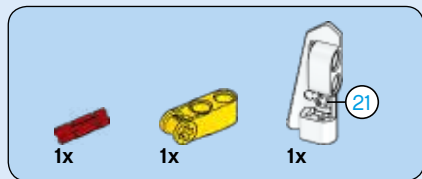
30



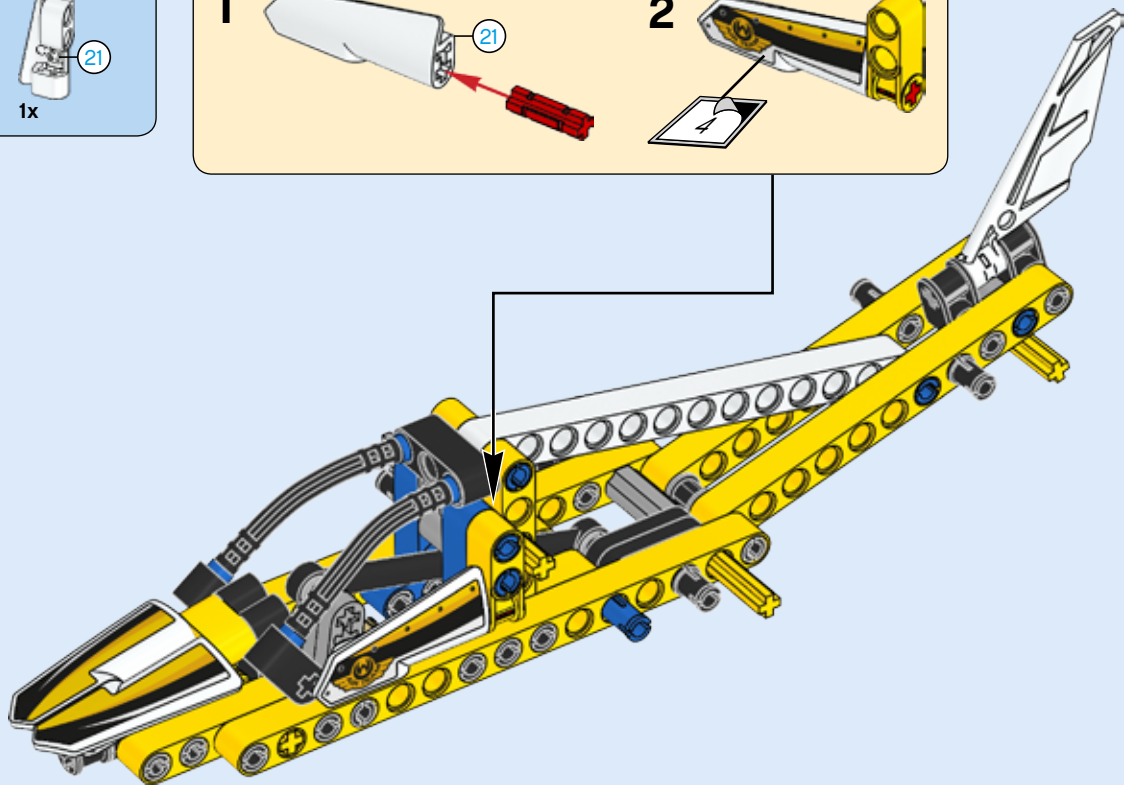
31

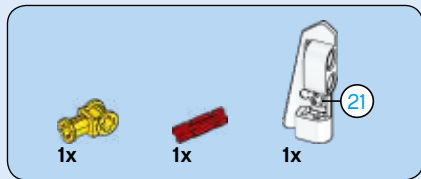


34

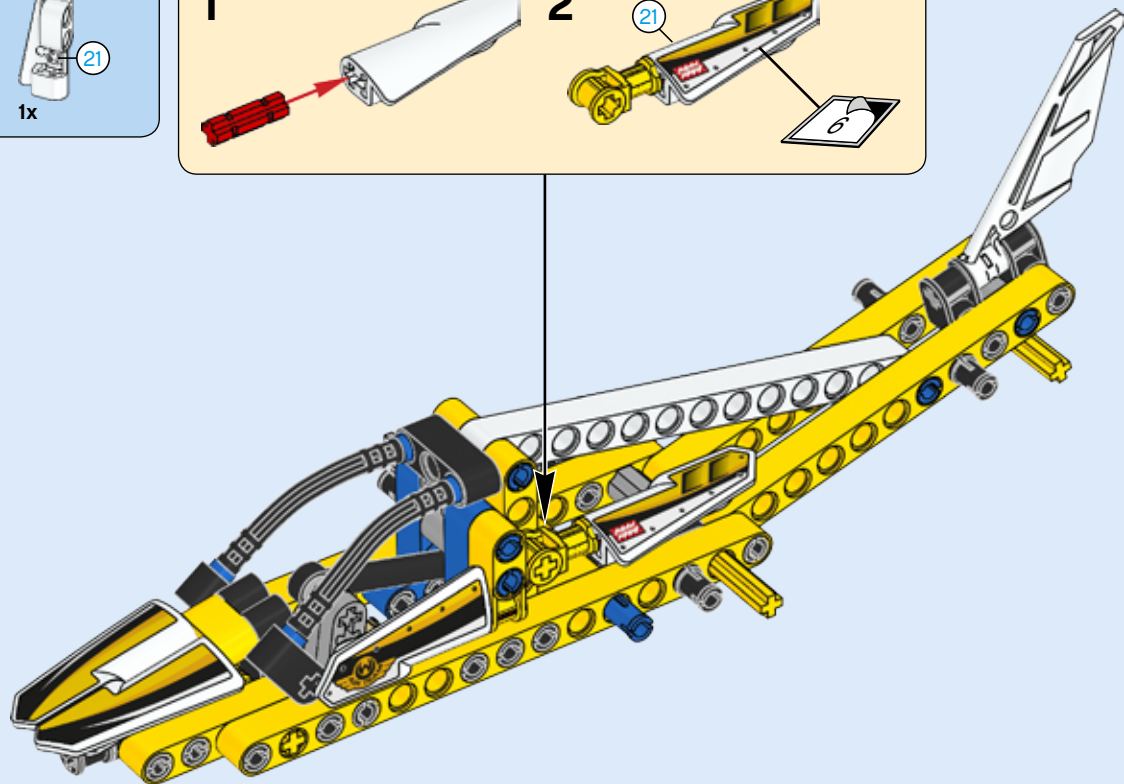
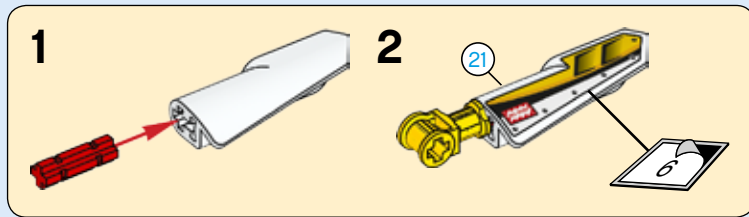


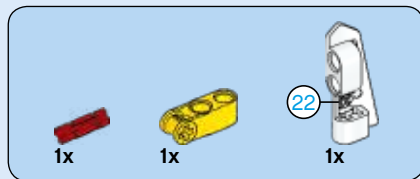
32



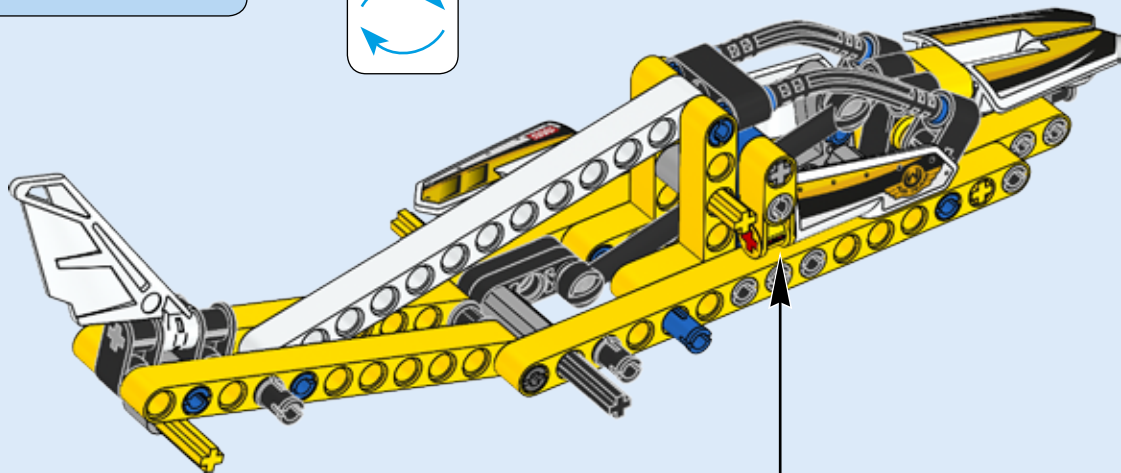
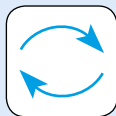


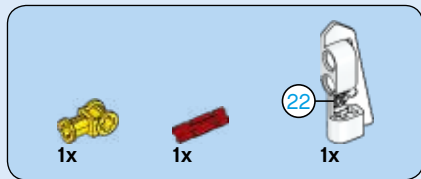
33



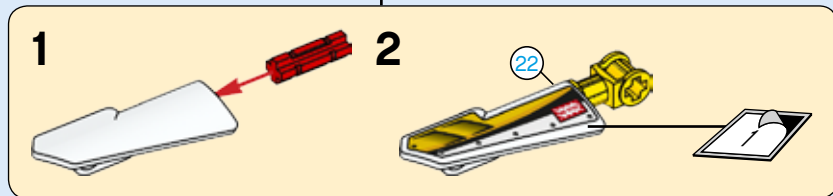
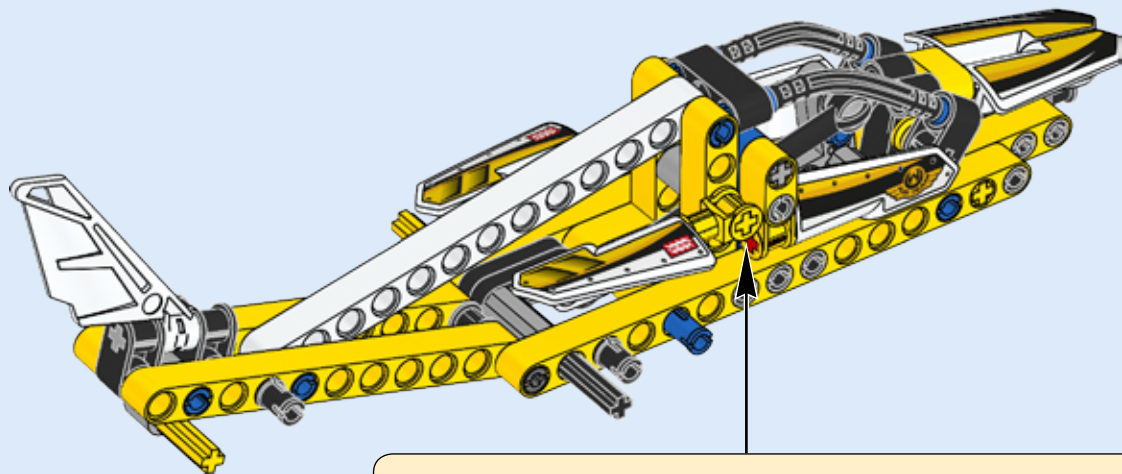


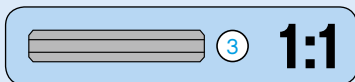
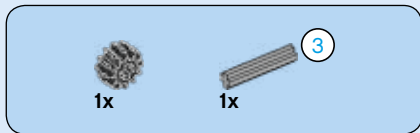
34



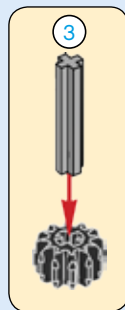
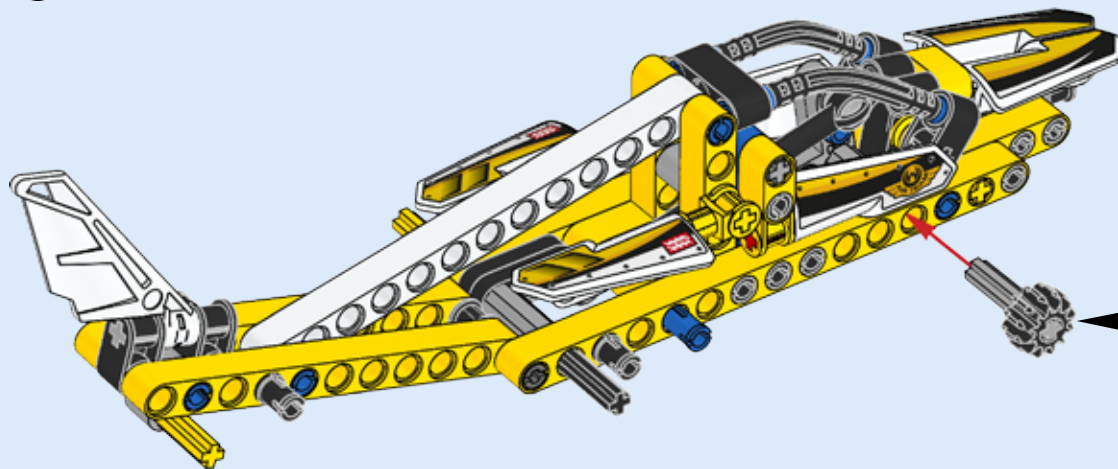


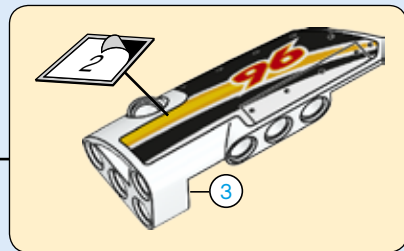
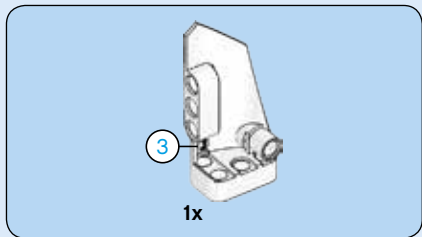
35



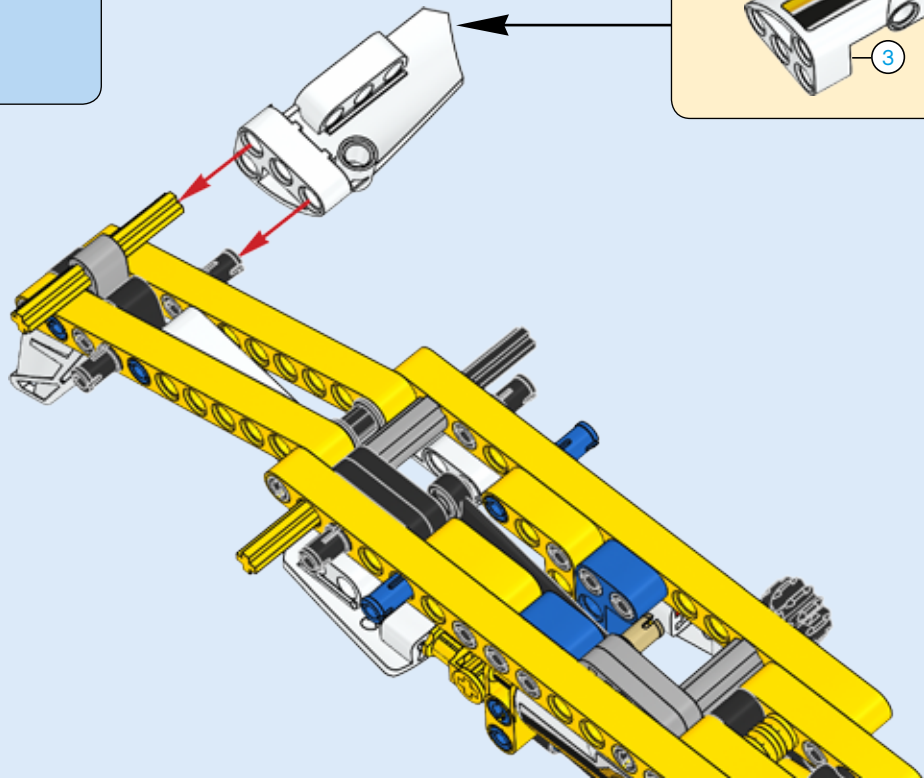
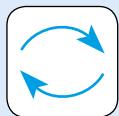


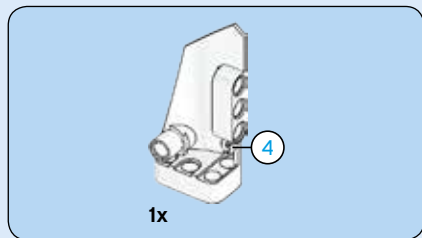
36



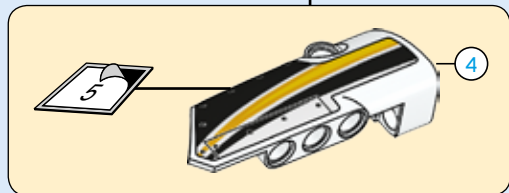
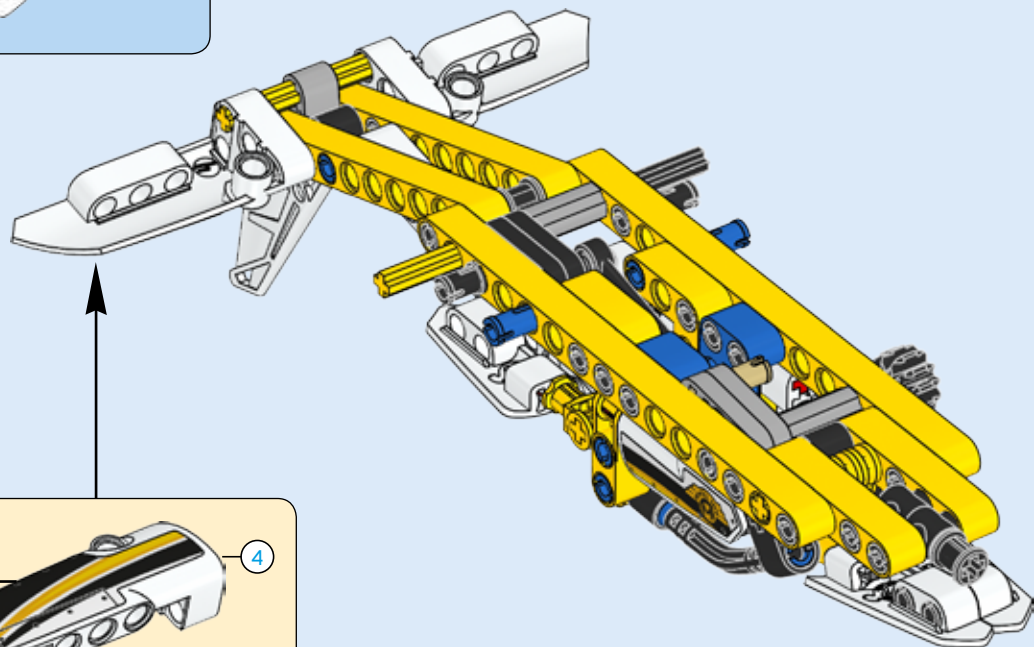


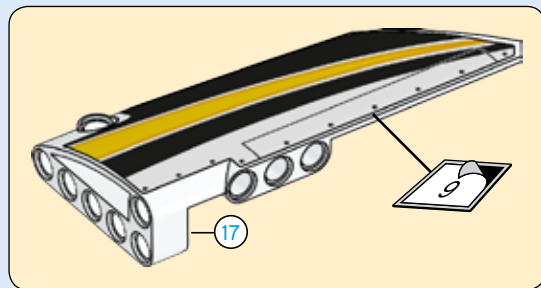
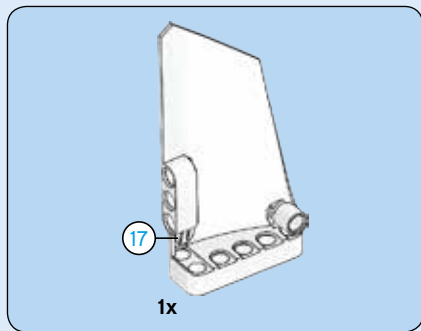
37



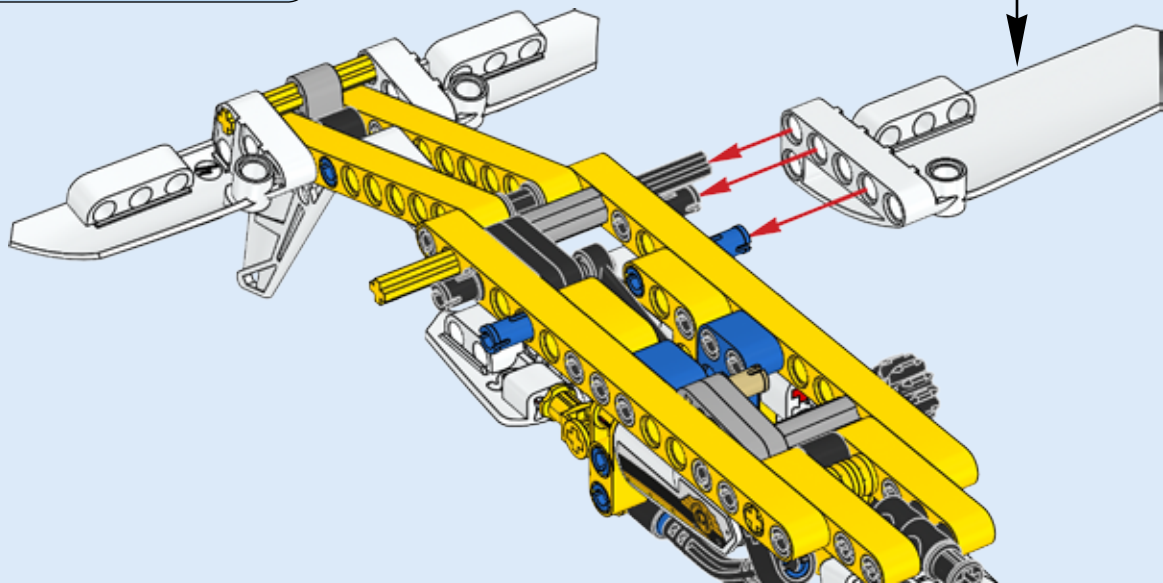


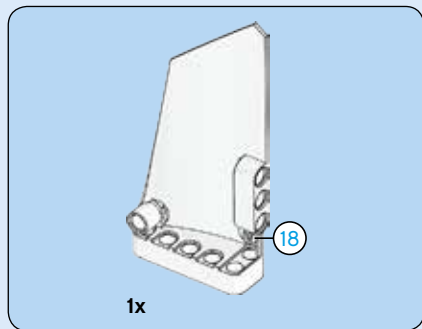
38



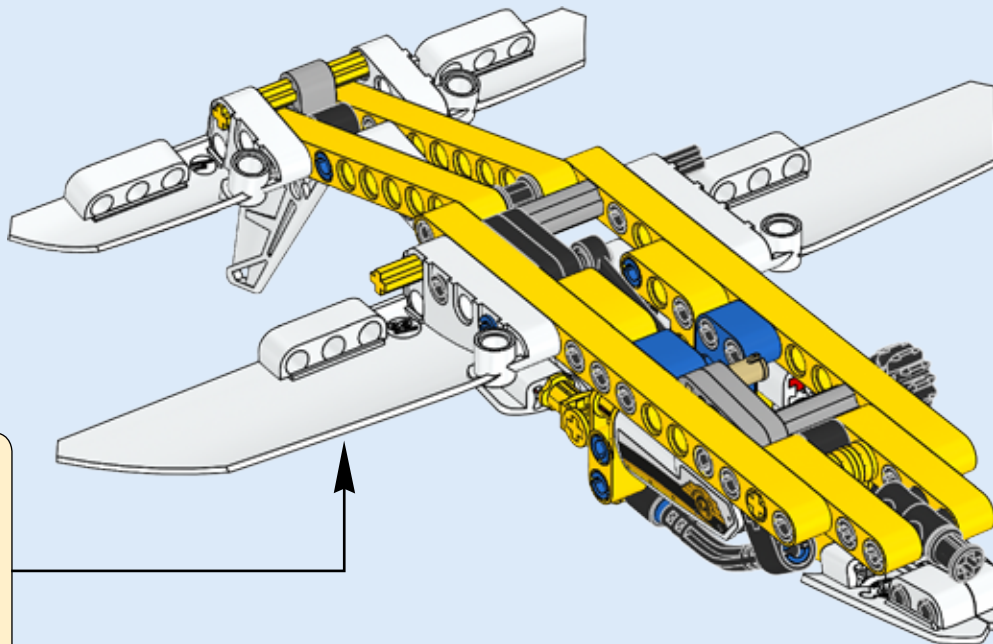
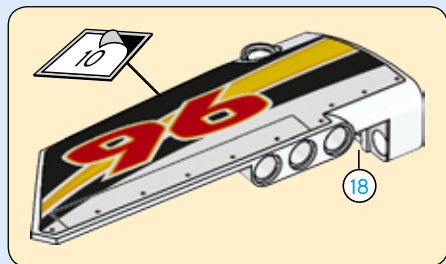


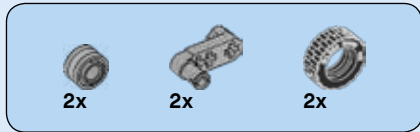
39



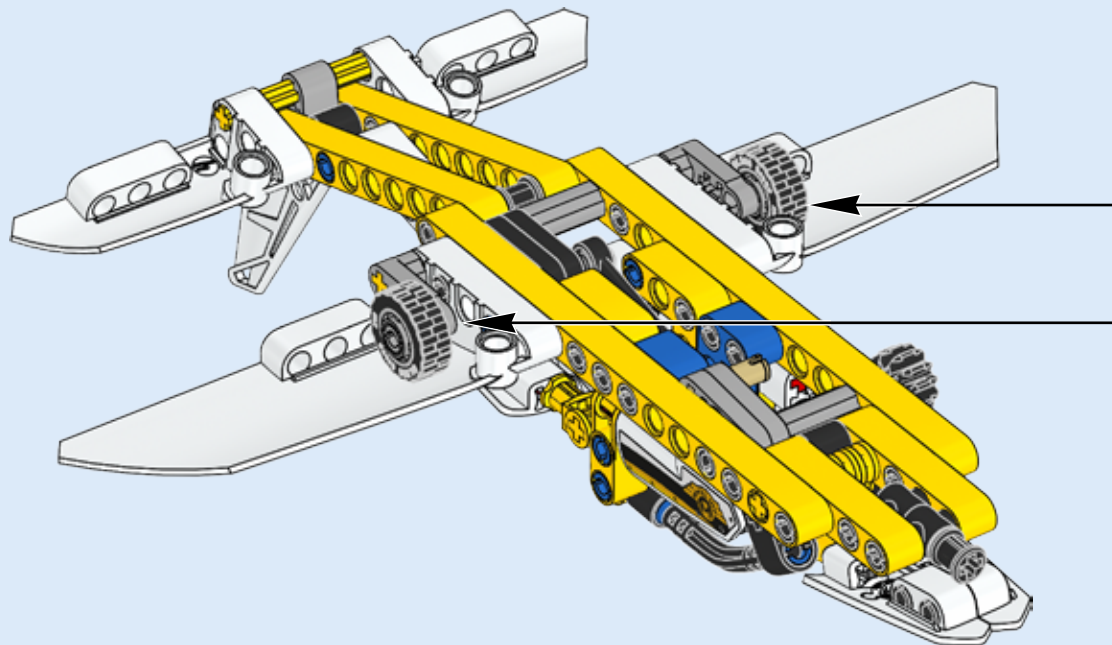
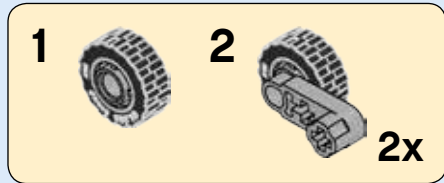


40





41



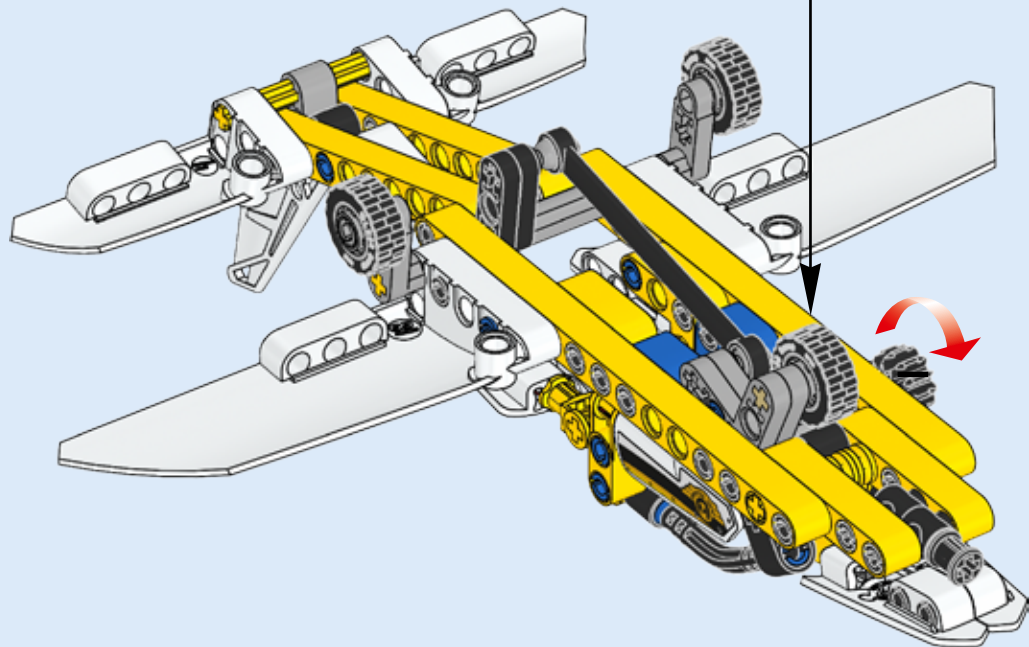


1x

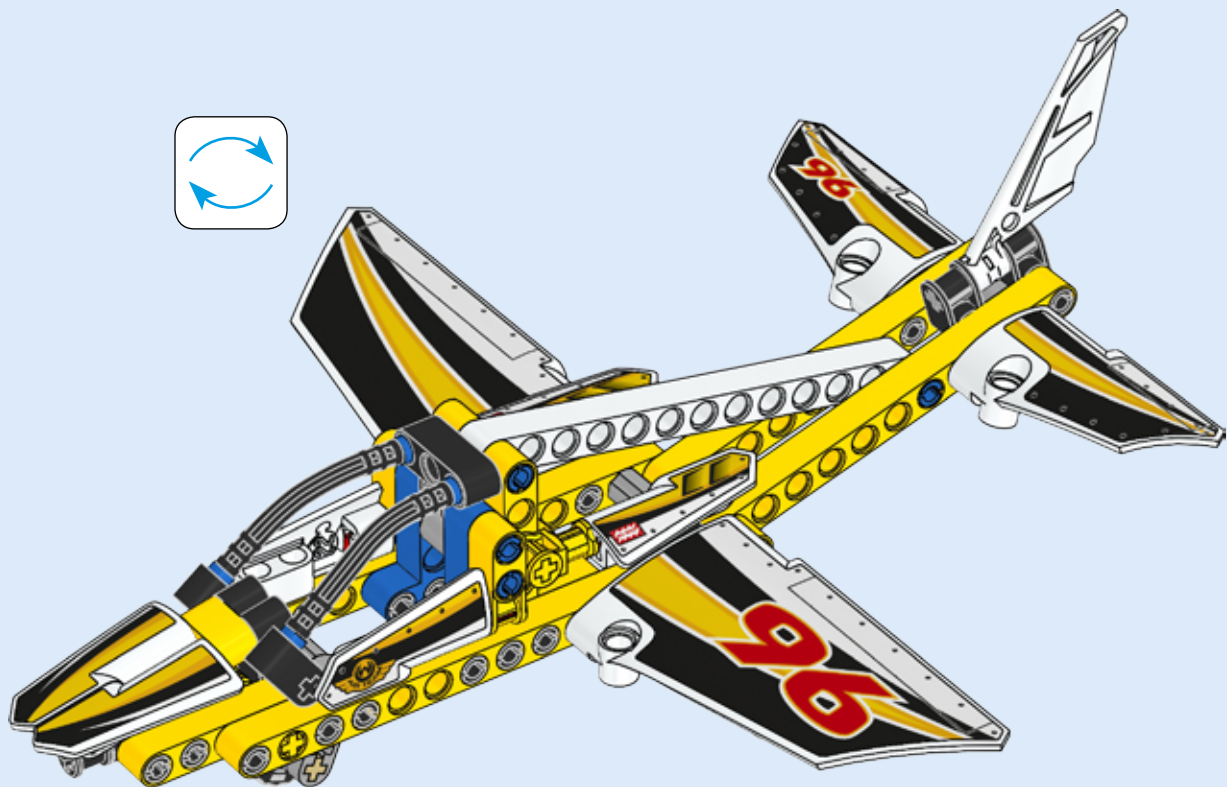
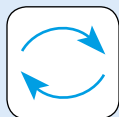


1x

42



43

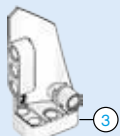




3x
6114583



3x
6114580



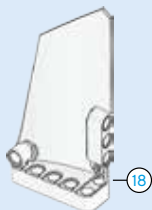
1x
4547581



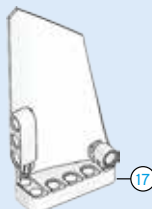
1x
4547582



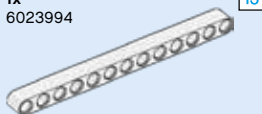
1x
6056830



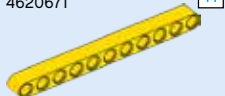
1x
6023996



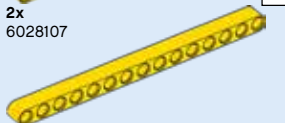
1x
6023994



1x
4620671



2x
6028107



2x
4542579



1x
4206482



7x
4514553



2x
4168114



5x
4143005



2x
4144022



4x
6130008



2x
4142133



4x
4239601



2x
4107800



1x
4187122



2x
4175441



1x
4666579



4x
4142865



2x
4560174



1x
4177431



4x
4173668



18x
4121715



2x
4107828



3x
4617848



2x
4140801



1x
4143466



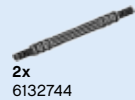
1x
6089119



1x
6007966



2x
370526



2x
6132744



1x
4141300



3x
4211758



2x
4211375



2x
4512360



2x
6004888



2x
4563045



2x
4211574



3x
4211815



3x
6015356

Customer Service

Kundenservice

Service Consommateurs

Servicio Al Consumidor

LEGO.com/service or dial



: 00800 5346 5555

: 1-800-422-5346

LEGO **TECHNIC**

42048



42049



42045



LEGO®
Building
Instructions



Google Play is a trademark of Google Inc.
Google Play est une marque de commerce de Google Inc.
Google Play es una marca comercial de Google Inc.

Apple, the Apple logo, iPad, iPhone and iPod touch are trademarks of Apple Inc.
Apple, le logo Apple, iPad, iPhone et iPod touch sont des marques de commerce d'Apple Inc.
Apple, el logotipo de Apple, iPad, iPhone e iPod touch son marcas comerciales de Apple Inc.

 LEGO.com/technic

LEGO and the LEGO logo are trademarks of the/son des marques de commerce du/son
marcas registradas de LEGO Group. ©2016 The LEGO Group. 6143794 / 6143800