



STAR WARS

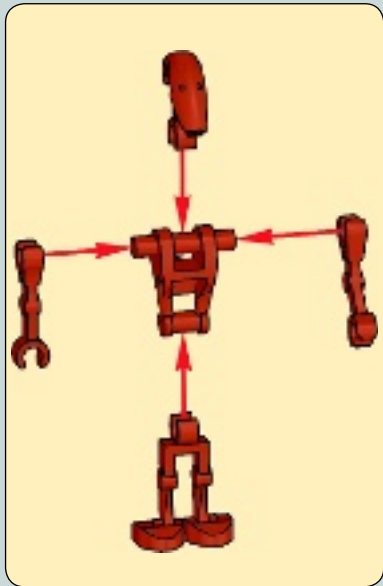
75077

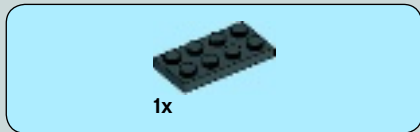


 LEGO.com

MICROFIGHTERS

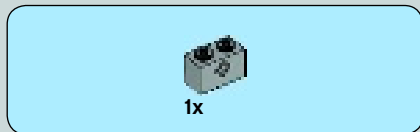
SERIES 2





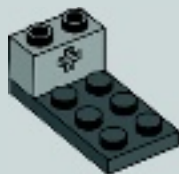
1x

1



1x

2

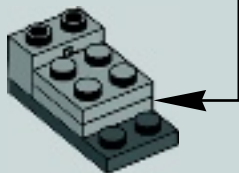
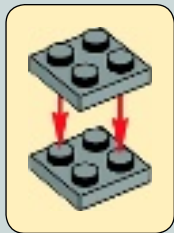


3



2x

3

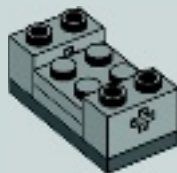


4



1x

4





1x

5



2x

6





2x



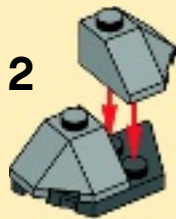
4x

7

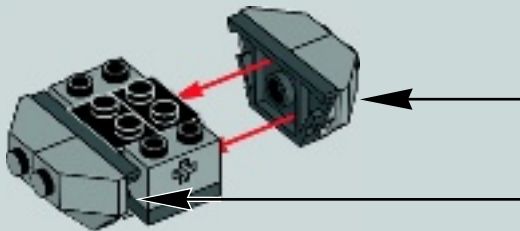
1

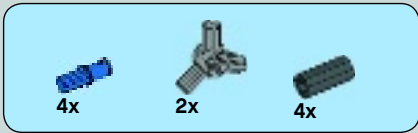


2



2x



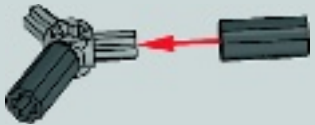


8

1



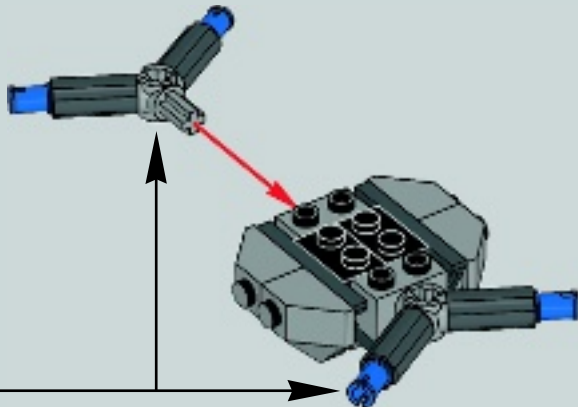
2



3



2x





1x

1



1x

2





2x

3



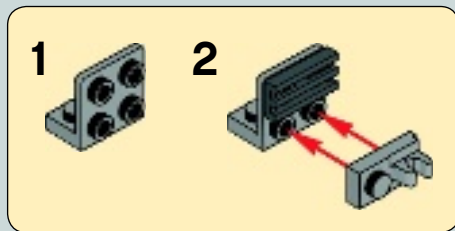
3x

4





5



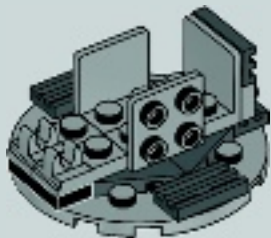


2x



2x

6



12



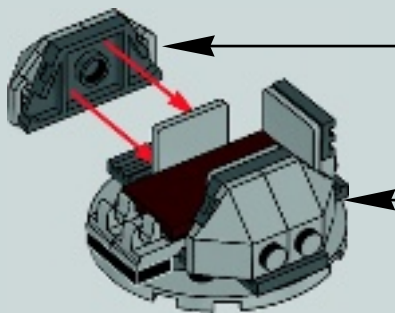
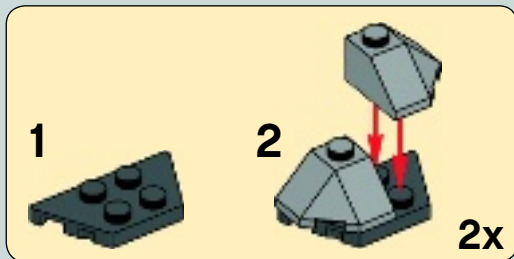
1x

7





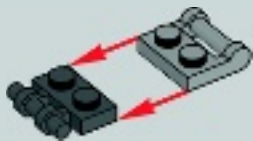
8



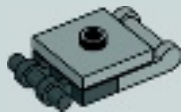


9

1



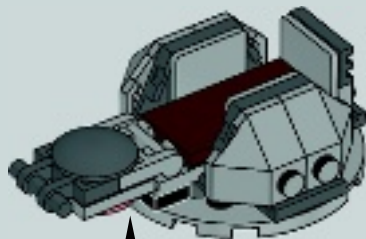
2



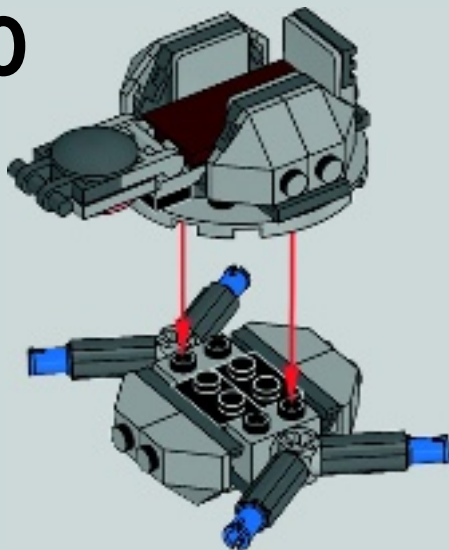
3

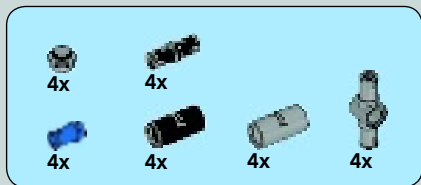


4



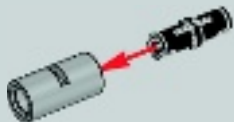
10



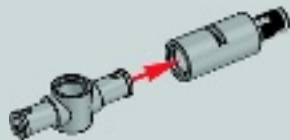


11

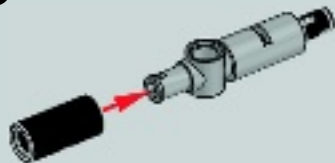
1



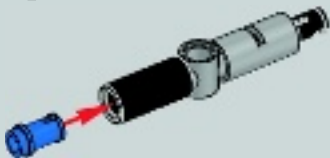
2



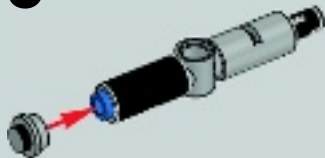
3



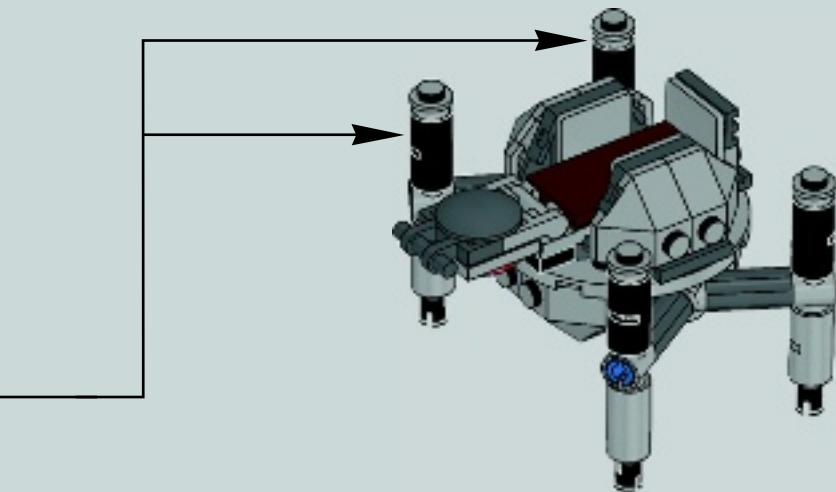
4



5



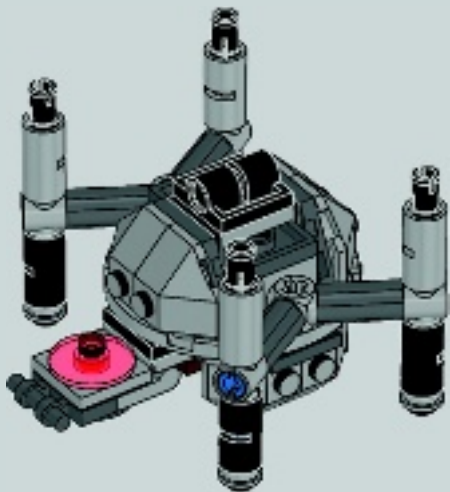
4x





1x

12





4x



4x



4x



4x



4x

13

1



2



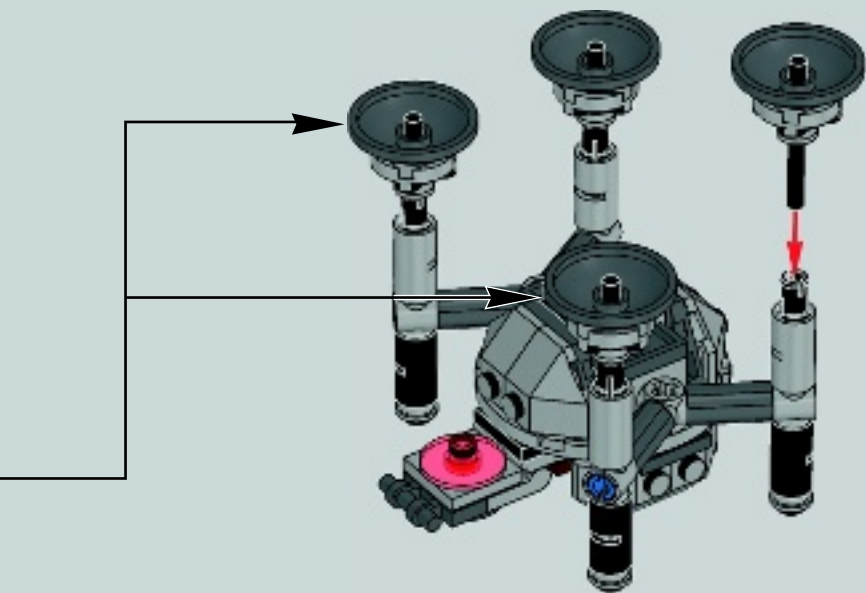
3



4



4x



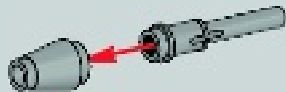


1x



1x

1



1x

2





1x

3

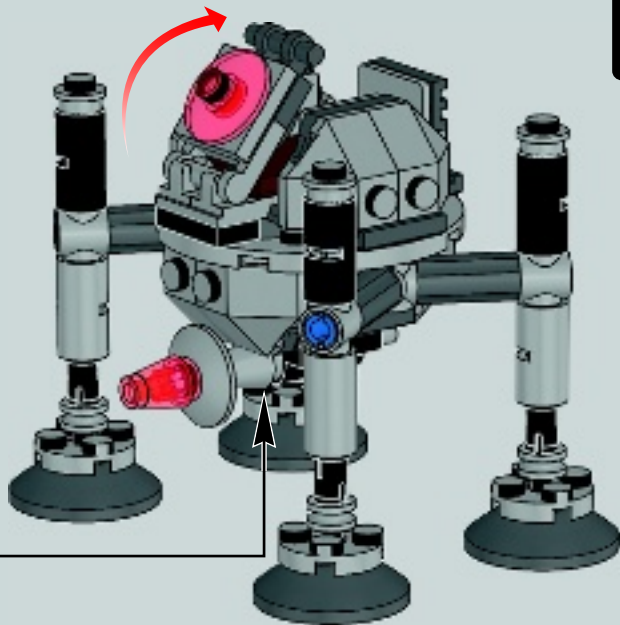


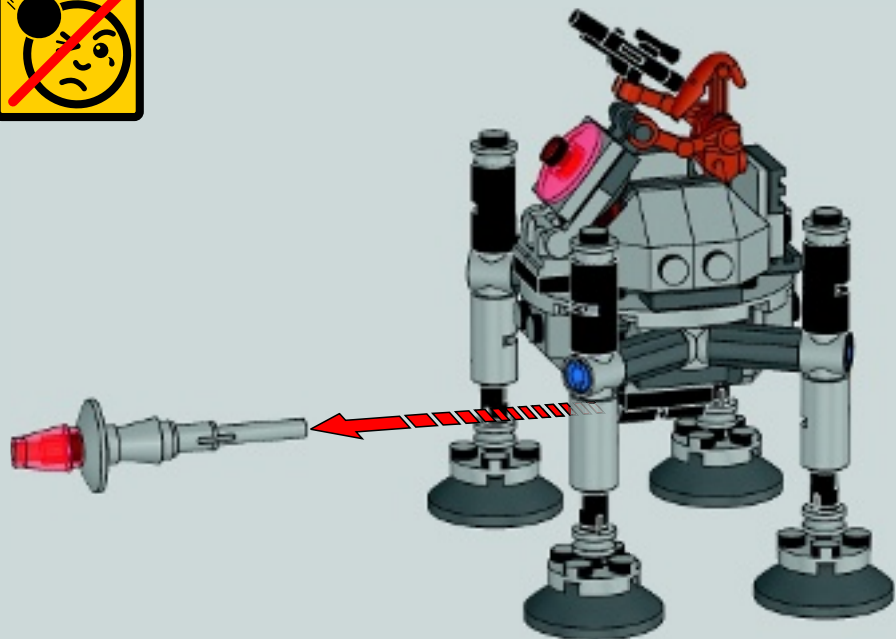
1x

4



14







4x
4210865



6x
4527082



1x
4210660



1x
4278274



4x
4516546



4x
4210631



1x
4211065



1x
4579690



2x
4502595



4x
4560175



4x
4526985



1x
4211512



3x
4211397



3x
4598526



1x
4244627



3x
4654580



8x
6034676



4x
4211475



1x
4520320



1x
4529241



2x
4233493



1x
4565393



1x
6015349



5x
4211525



4x
4211573



1x
6035610



1x
6035607



1x
6035574



1x
6035606



1x
6035614



1x
4544720



1x
4142995



4x
4143005



4x
4206482



4x
4526982



1x
302326



2x
6048855



1x
281726



4x
4140303



1x
4498713



4x
4121715



Customer Service

Kundenservice

Service Consommateurs

Servicio Al Consumidor

LEGO.com/service or dial



00800 5346 5555 :

1-800-422-5346 :

An advertisement for LEGO Star Wars Microfighters. The background is a dark space scene with a bright sun in the upper right, a planet in the lower right, and green laser beams in the upper left. At the top center is the LEGO logo (a red square with 'LEGO' in white) and the words 'STAR WARS' in large, white, blocky letters. Below this, there are two rows of product boxes. The top row features two boxes: 'Microfighter 1' (left) and 'Microfighter 2' (right). The bottom row features four boxes: 'Microfighter 3' (left), 'Microfighter 4' (second from left), 'Microfighter 5' (third from left), and 'Microfighter 6' (right). Each box is shown at an angle, displaying the front and side panels. The front panels show the assembled microfighter and the character it represents. The side panels show the box art and the product name. The assembled microfighters are shown in various poses: some are flying, some are on the ground, and some are in combat. The colors of the microfighters vary, including white, red, green, and blue. The overall aesthetic is that of a classic toy advertisement from the late 1990s or early 2000s.

LEGO

**STAR
WARS**



MICROFIGHTERS

STAR WARS © & ™ 2015 Lucasfilm Ltd. © 2015 The LEGO Group. ™ & © WBEI.

Apple, the Apple logo, iPad, iPhone and iPod touch are trademarks of Apple Inc., registered in the U.S. and other countries. App Store is a service mark of Apple Inc.

Google Play is a trademark of Google Inc.



STAR WARS

Download the Microfighters App!



MICROFIGHTERS





Free*! Gratuit !

* Paid subscription in Australia and New Zealand.
Abonnement payant en Australie et Nouvelle-Zélande.



LEGO.com/club

WIN

GO TO WWW.LEGO.COM/PRODUCTFEEDBACK AND
GIVE US YOUR SHORT **FEEDBACK** ABOUT THIS
LEGO® SET FOR A CHANCE TO WIN
A COOL LEGO PRIZE.



LEGO.com/productfeedback

GEWINNE



Erzähle uns auf
www.LEGO.com/productfeedback

etwas über die Erfahrungen, die
du mit diesem LEGO® Set gemacht
hast, und sichere dir die Chance auf
einen coolen LEGO Preis!

GAGNE



Rends-toi sur
www.LEGO.com/productfeedback

et donne-nous quelques commen-
taires sur ce produit LEGO® pour
avoir une chance de gagner un
prix LEGO !

GANA



Visita
www.LEGO.com/productfeedback

y envíanos tu opinión acerca de este
set LEGO®. ¡Participarás en el sorteo
de un premio LEGO!

获取奖品



登录
www.LEGO.com/productfeedback

给出关于此乐高®套装的简短反馈，
就有机会获得炫酷乐高奖品

LEGO and the LEGO logo are trademarks of the LEGO Group. ©2015 The LEGO Group.
© & ™ Lucasfilm Ltd.

6107166